

**KBT**

# 3700~4000MHz 65° 10dBi MIMO Logarithmic Periodic Directional Antenna

**TDJ-D3740DSFS****Application**

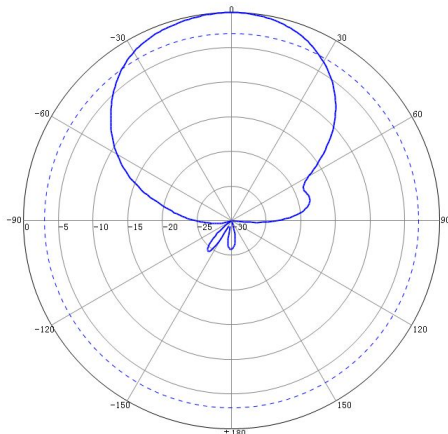
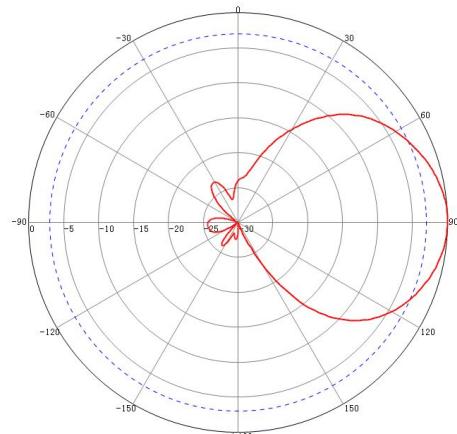
Used in 5G system

**Electrical specifications**

Frequency range (MHz)	3700~4000
Polarization	Vertical and Horizontal
Peak Gain (dBi)	10±1
Horizontal beam width (°)	65±10
Vertical beam width (°)	50±10
Front-to-back ratio (dB)	≥15
Impedance (Ω)	50
Isolation (dB)	≥20
VSWR	≤2.0
Maximum power (W)	50
Lighting protection	DC Ground

**Mechanical specifications**

Connector	2*N Female or Customized
Exposed cable length (cm)	35 or Customized
Connector position	Bottom
Antenna size (mm)	Φ100*130
Packing size (mm)	234*113*113
Weight (kg)	0.6 (Include bracket)
Radome material	ABS
Radome color	White
Operating temperature (°C)	-30~60
Application	Outdoor
Mechanical tilt (°)	0~60
Rated wind velocity (m/s)	60
Suitable pole diameter (mm)	Φ25-Φ50
Mounting kit	JM-T4A

**3700~4000MHz Typical Horizontal pattern:****3700~4000MHz Typical Vertical pattern:**

No.2 ChanxiuRoad, Foshan, Guangdong, China. 528061 Tel: +86-757-82219788 Fax: +86-757-82212072

Email: kbt@kenbotong.com Web: http://www.kenbotong.com



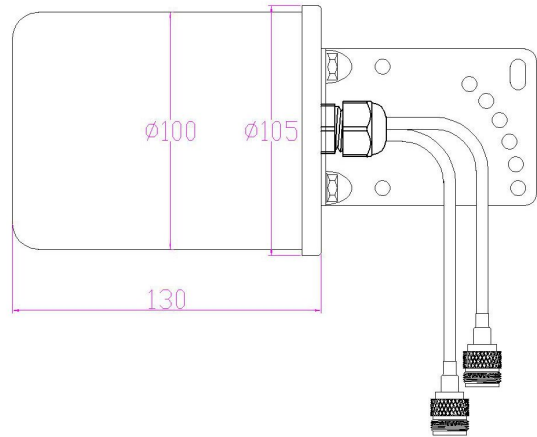
**KBT**

**3700~4000MHz 65° 10dBi**  
**MIMO Logarithmic Periodic Directional Antenna**

**Product pictures**



**Product size**



## Installation Sketch

